



US007008269B2

(12) **United States Patent**
Riley et al.

(10) **Patent No.:** US 7,008,269 B2
(45) **Date of Patent:** Mar. 7, 2006

(54) **HOSPITAL BED EQUIPMENT SUPPORT APPARATUS**

(75) Inventors: **Carl W. Riley**, Milan, IN (US); **Troy D. Action**, Saint Paul, IN (US)

(73) Assignee: **Hill-Rom Services, Inc.**, Wilmington, DE (US)

(*) Notice: Subject to any disclaimer, the term of this patent is extended or adjusted under 35 U.S.C. 154(b) by 0 days.

(21) Appl. No.: **10/760,653**

(22) Filed: **Jan. 20, 2004**

(65) **Prior Publication Data**

US 2004/0157496 A1 Aug. 12, 2004

Related U.S. Application Data

(62) Division of application No. 10/224,201, filed on Aug. 20, 2002, now Pat. No. 6,704,956.

(60) Provisional application No. 60/333,387, filed on Nov. 26, 2001, provisional application No. 60/314,483, filed on Aug. 23, 2001.

(51) **Int. Cl.**
H01R 24/04 (2006.01)

(52) **U.S. Cl.** **439/668**; 439/904; 439/835; 607/37; 607/116

(58) **Field of Classification Search** 439/668, 439/904, 835; 607/37, 116
See application file for complete search history.

(56) **References Cited**

U.S. PATENT DOCUMENTS

383,815 A	5/1888	Kilborn
1,290,809 A	1/1919	Truax
1,490,650 A	4/1924	Wagner
1,674,081 A	6/1928	Adams
1,919,114 A	7/1933	Ley

2,470,524 A	5/1949	Scudder	
2,673,771 A	3/1954	Krewson	
2,696,963 A	12/1954	Shepherd	
RE24,290 E	3/1957	MacKnight	
3,004,743 A	10/1961	Wenger	
3,208,029 A *	9/1965	Leslie	439/46
3,402,947 A	9/1968	Lewis	
3,552,577 A	1/1971	Latham, Jr.	
3,588,023 A	6/1971	Cohen	
3,674,294 A	7/1972	Kirkham	
3,814,023 A	6/1974	Stantial	
4,005,844 A	2/1977	Richmond	
4,113,222 A	9/1978	Frinzel	
4,163,536 A	8/1979	Heller et al.	
4,190,224 A	2/1980	LeBlanc et al.	

(Continued)

FOREIGN PATENT DOCUMENTS

DE 299 03 222 U1 6/1999

(Continued)

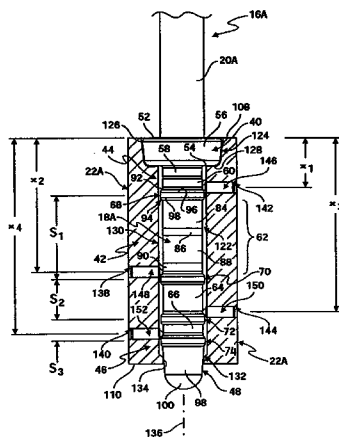
Primary Examiner—Truc Nguyen

(74) *Attorney, Agent, or Firm*—Bose McKinney & Evans LLP

(57) **ABSTRACT**

An equipment support for use with a patient assist apparatus having a signal source includes a receptacle adapted to mount to the patient assist apparatus having a plurality of contacts adapted to receive signals from the signal source and a cavity, and a support body or pole having an equipment mount on one end and a plug on the other end for being removably inserted into the cavity. The plug includes a plurality of contacts that are connected to conductors that extend through the support body to the equipment mount to provide the signals from the signal source to equipment mounted on the equipment mount. The plug contacts and receptacle contacts are arranged such that all of the plug contacts contact their corresponding receptacle contacts as the plug is inserted into the receptacle.

21 Claims, 15 Drawing Sheets



US 7,008,269 B2

Page 2

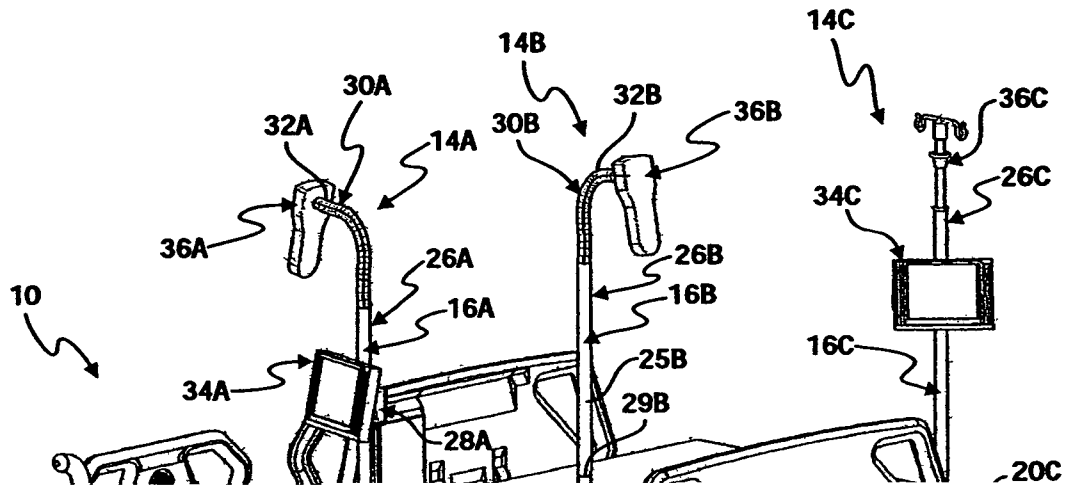
U.S. PATENT DOCUMENTS

4,225,104	A	9/1980	Larson	5,174,533	A	12/1992	Pryor et al.
4,262,872	A	4/1981	Kodet	5,207,642	A	5/1993	Orkin et al.
D260,816	S	9/1981	Zissimopoulos et al.	5,224,681	A	7/1993	Lundstrom
4,339,104	A	7/1982	Weidman	5,319,816	A	6/1994	Ruehl
4,511,157	A	4/1985	Wilt, Jr.	5,322,253	A	6/1994	Stevens
4,511,158	A	4/1985	Varga et al.	5,335,384	A	8/1994	Foster et al.
4,559,036	A	12/1985	Wunsch	5,400,995	A	3/1995	Boyd
4,600,209	A	7/1986	Kerr, Jr.	5,407,163	A	4/1995	Kramer et al.
4,616,797	A	10/1986	Cramer	5,409,403	A *	4/1995	Falossi et al. 439/668
4,629,074	A	12/1986	Toder	5,542,138	A	8/1996	Williams et al.
D289,604	S	5/1987	Gallant et al.	5,588,166	A	12/1996	Burnett
4,691,397	A	9/1987	Netzer	5,592,153	A	1/1997	Welling et al.
4,702,448	A	10/1987	LoJacono et al.	5,636,823	A	6/1997	Boyd
4,718,892	A	1/1988	Yung-Ho	5,647,491	A	7/1997	Foster et al.
4,729,576	A	3/1988	Roach	5,657,884	A	8/1997	Zilincar, III
4,744,536	A	5/1988	Bancalari	5,699,988	A	12/1997	Boettger et al.
4,768,241	A	9/1988	Beney	5,704,577	A	1/1998	Gordon
4,905,882	A	3/1990	Ross	5,720,631	A *	2/1998	Carson et al. 439/668
4,905,944	A	3/1990	Jost et al.	5,766,042	A *	6/1998	Ries et al. 439/668
4,925,444	A	5/1990	Orkin et al.	5,772,162	A	6/1998	Lin
4,945,592	A	8/1990	Sims et al.	5,820,086	A	10/1998	Hoftman et al.
4,955,828	A *	9/1990	Gruenberg 439/668	5,826,847	A	10/1998	Warner et al.
4,966,340	A	10/1990	Hunter	5,857,685	A	1/1999	Phillips et al.
4,969,768	A	11/1990	Young	5,888,014	A	3/1999	Lung et al.
4,997,150	A	3/1991	Mardollo	6,109,797	A	8/2000	Nagura et al.
5,016,307	A	5/1991	Rebar	6,224,027	B1	5/2001	Johnson et al.
5,023,967	A	6/1991	Ferrand	6,439,932	B1 *	8/2002	Ripolone 439/668
5,074,796	A	12/1991	Carter				
5,078,349	A	1/1992	Smith				
5,083,807	A	1/1992	Bobb et al.				
5,094,418	A	3/1992	McBarnes, Jr. et al.				
5,108,066	A	4/1992	Lundstrom				
5,110,076	A	5/1992	Snyder et al.				
5,112,019	A	5/1992	Metzler et al.				
5,125,607	A	6/1992	Pryor				

FOREIGN PATENT DOCUMENTS

EP	0 893 557	A1	7/1998
WO	WO 93/12346		6/1993
WO	WO 98/02107		1/1998
WO	WO 01/86575		11/2001

* cited by examiner



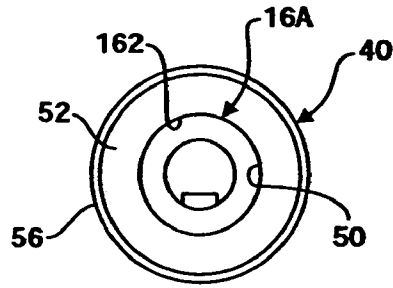


FIG. 2B

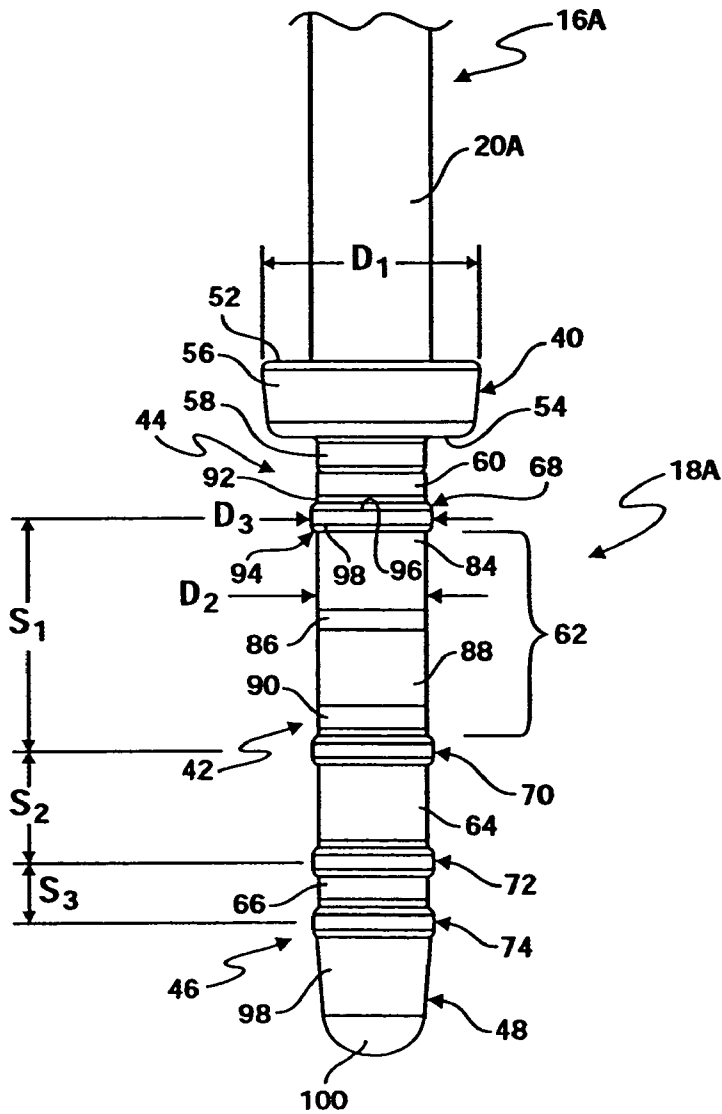


FIG. 2A

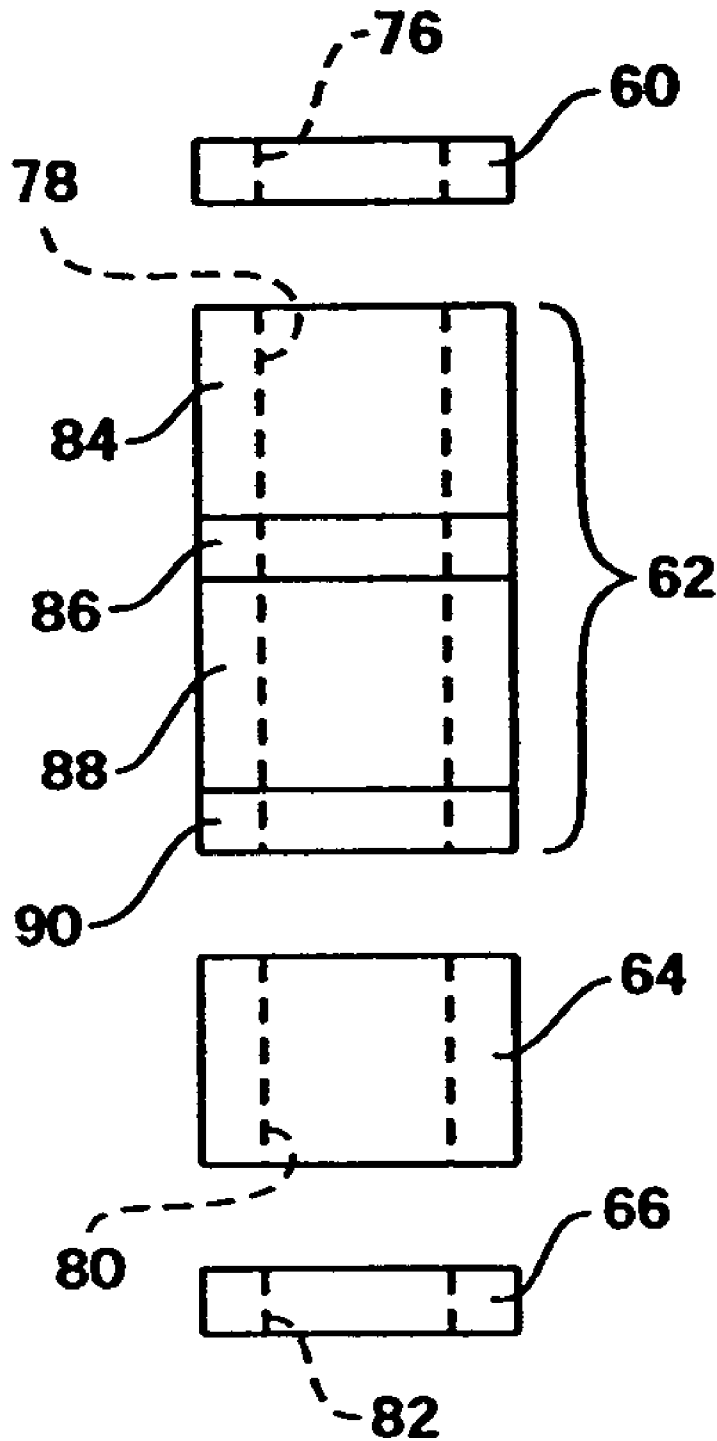


FIG. 3

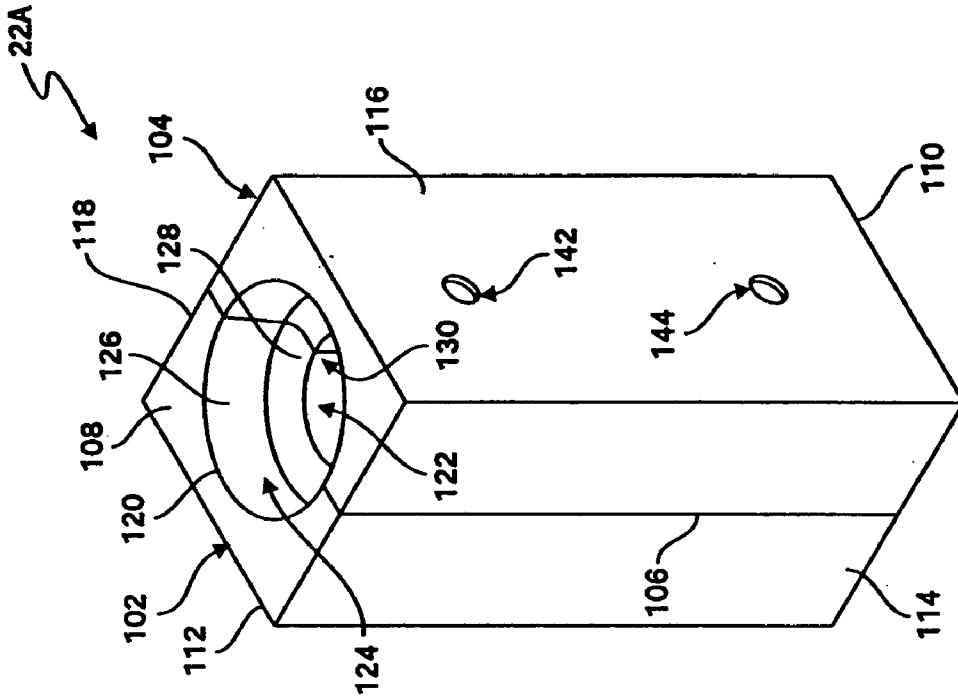


FIG. 4B

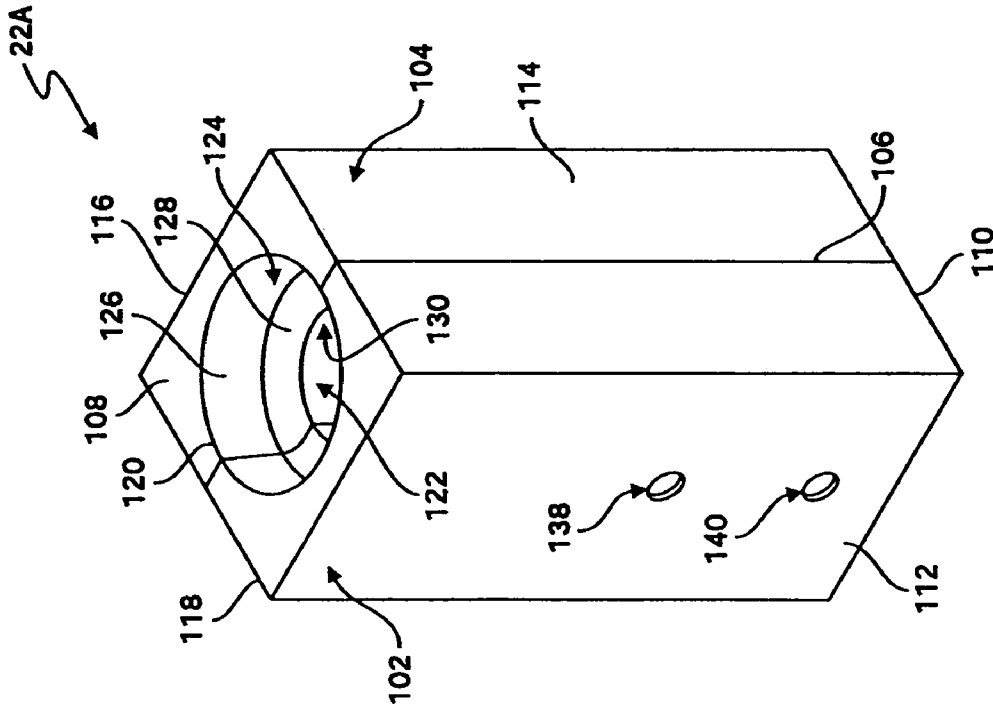


FIG. 4A

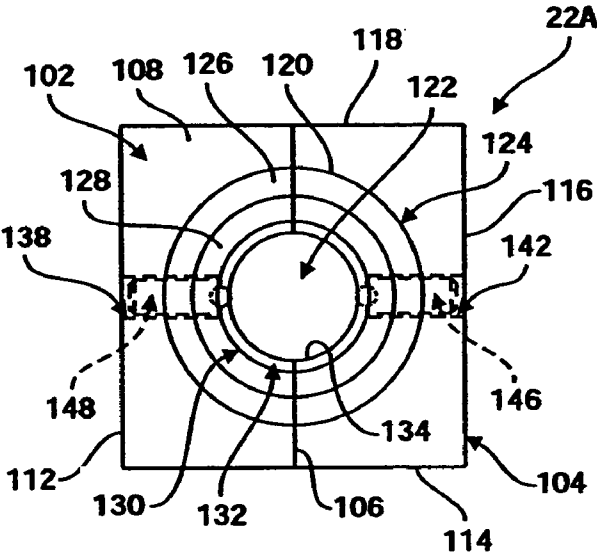


FIG. 4D

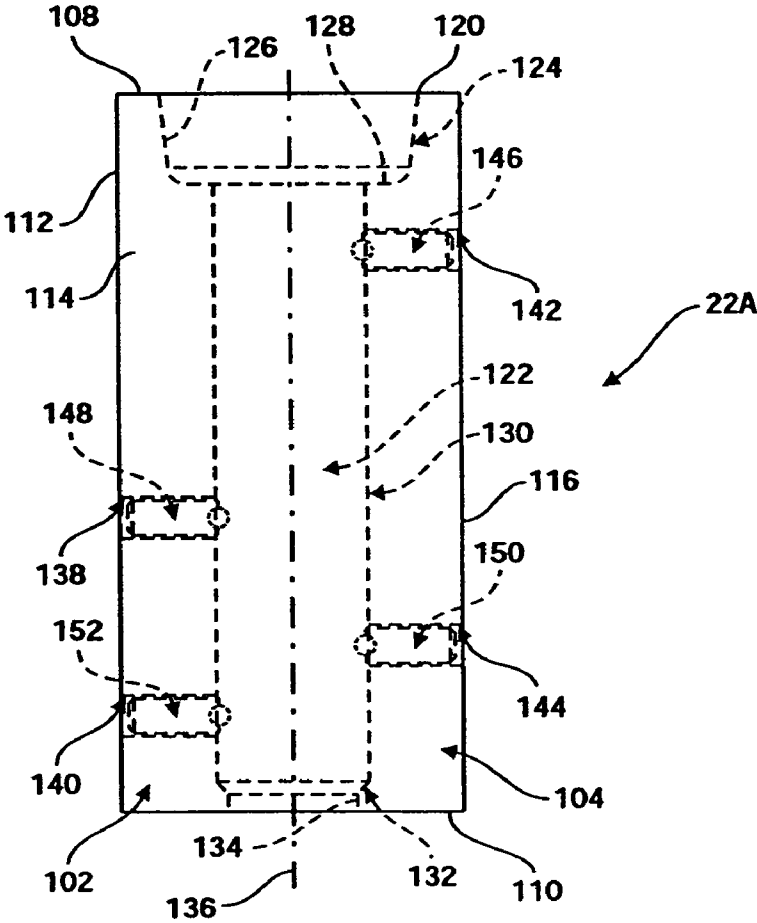


FIG. 4C

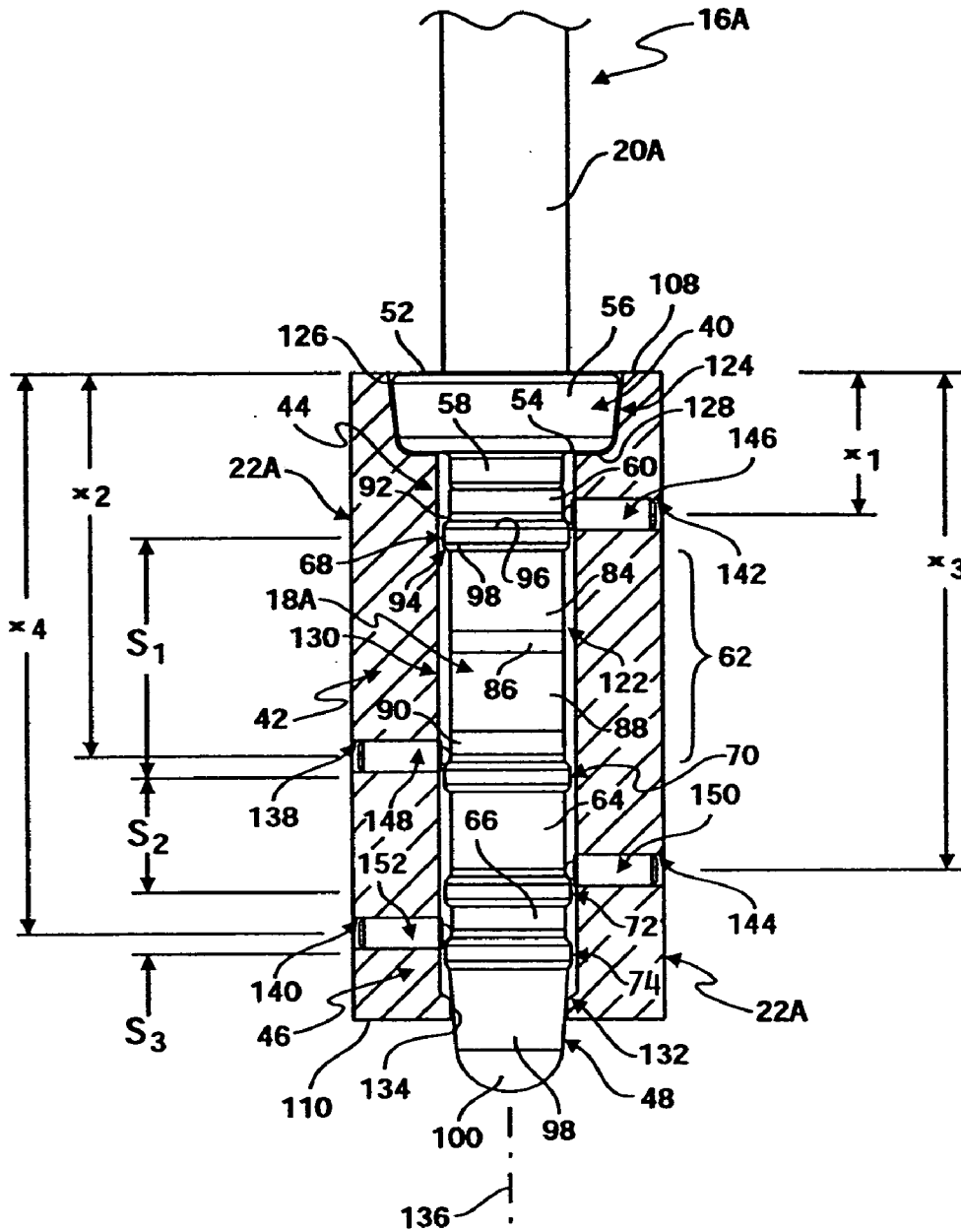


FIG. 5

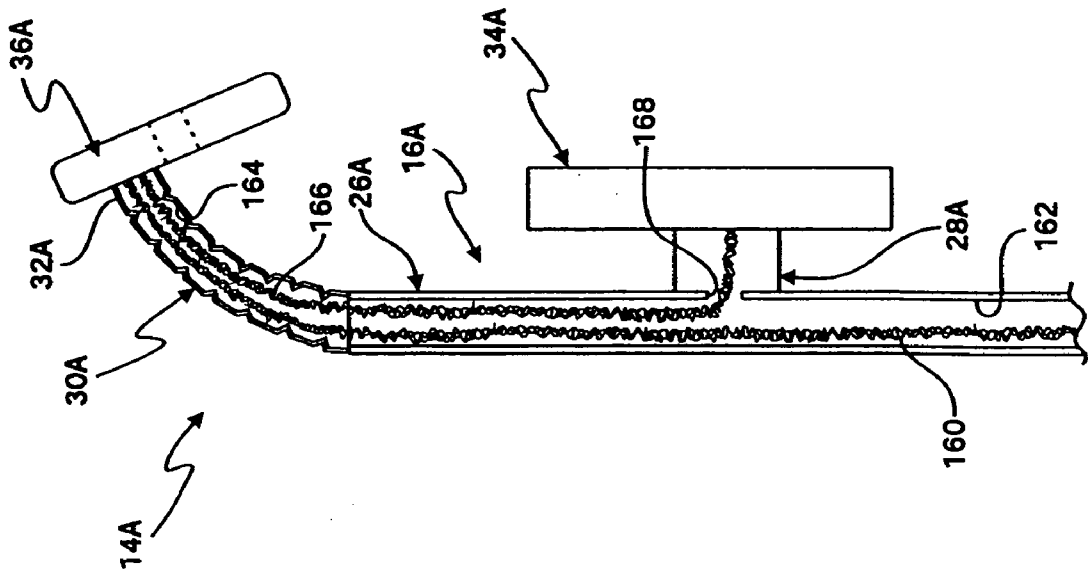


FIG. 6A

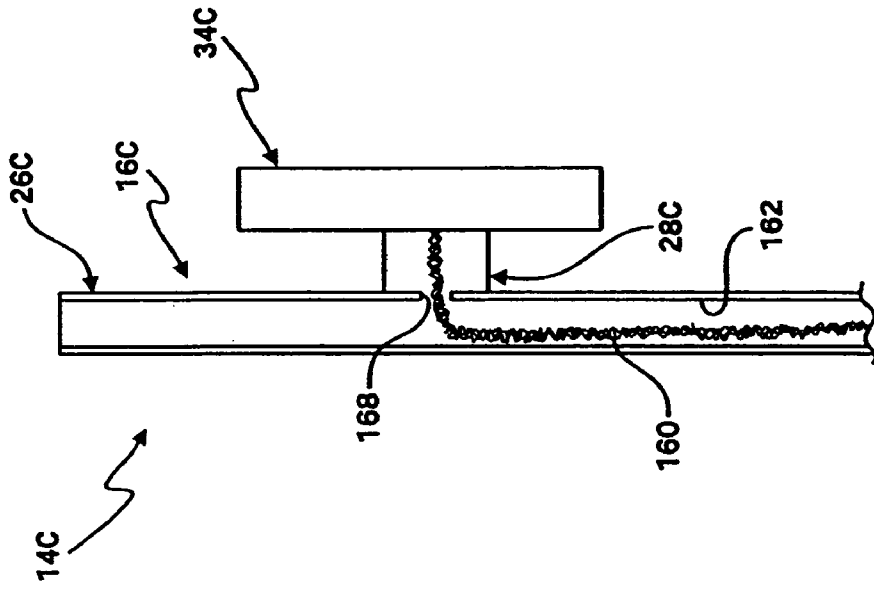


FIG. 6B

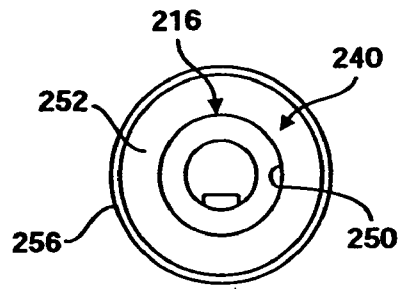
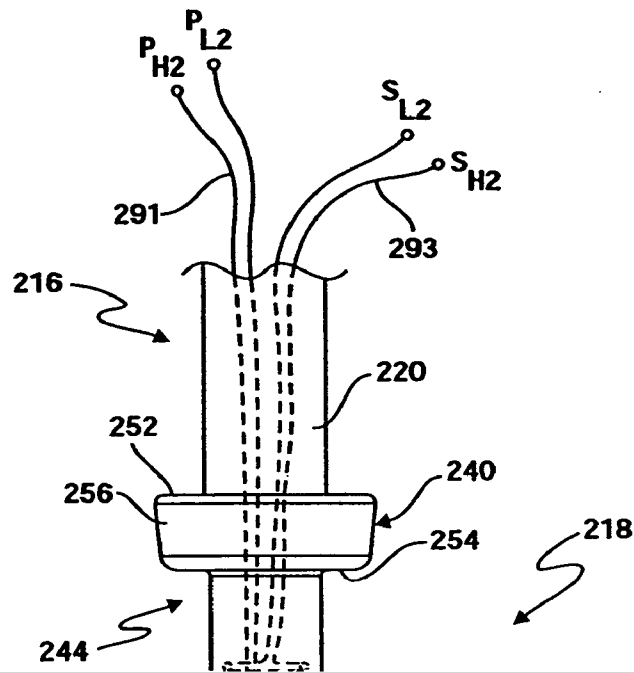


FIG. 7B



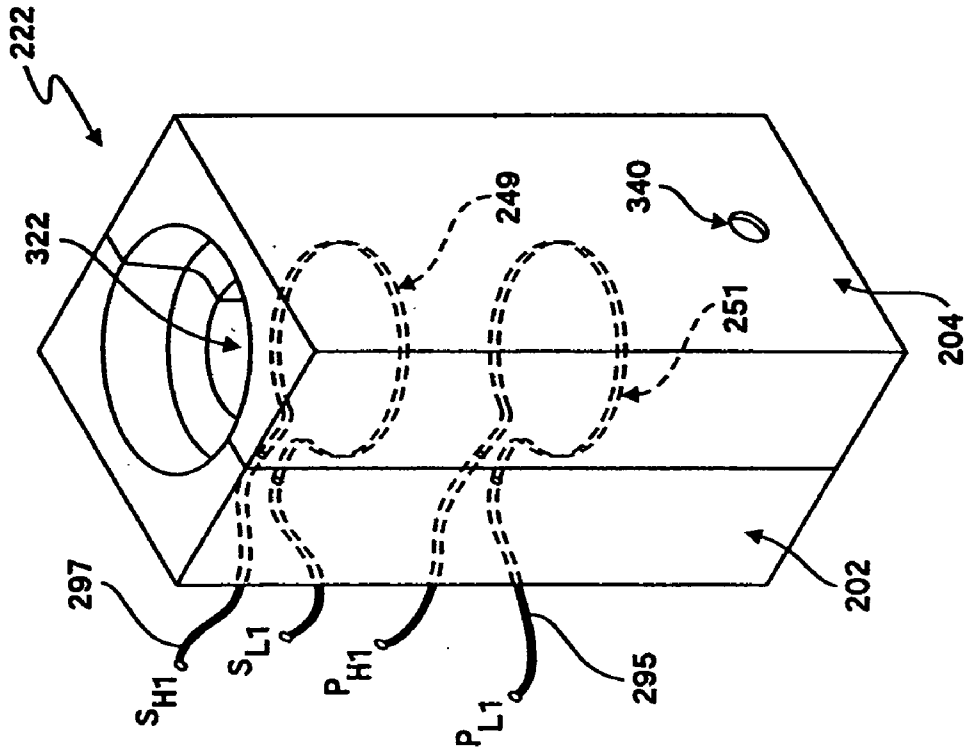


FIG. 8B

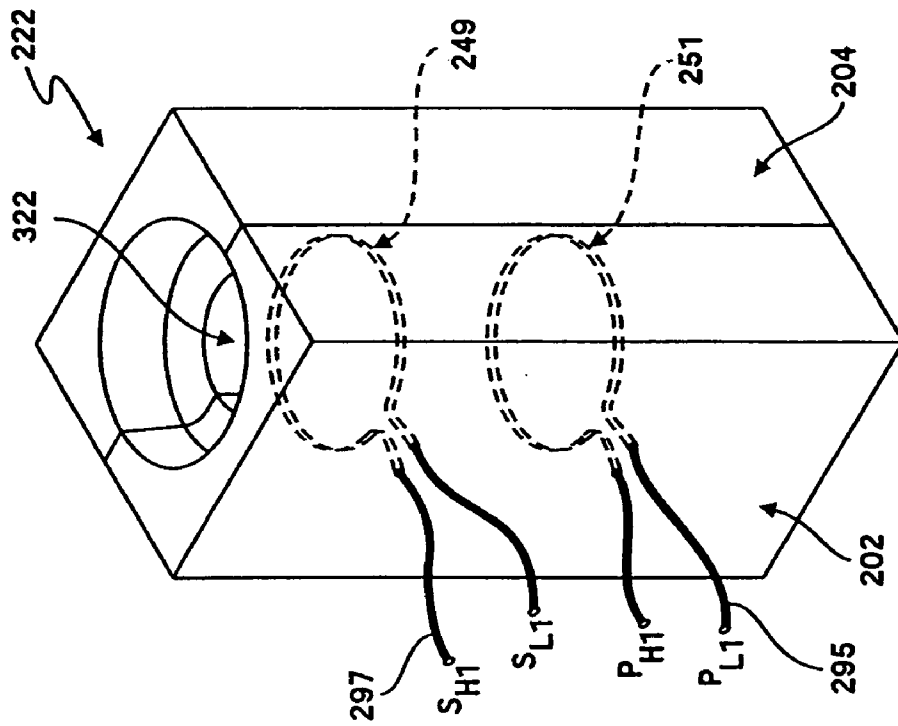


FIG. 8A

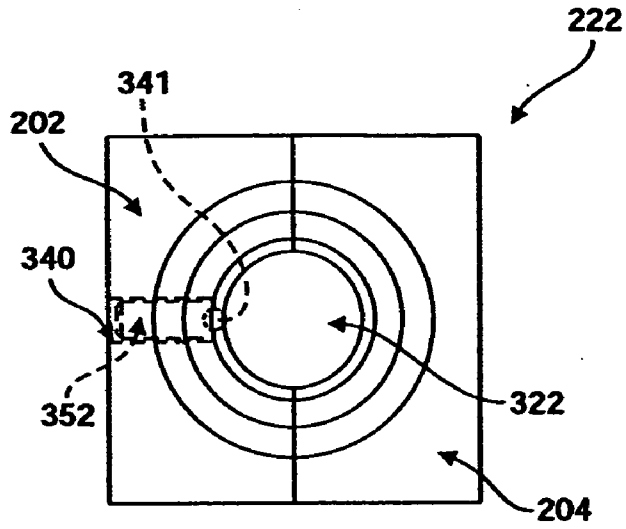


FIG. 8D

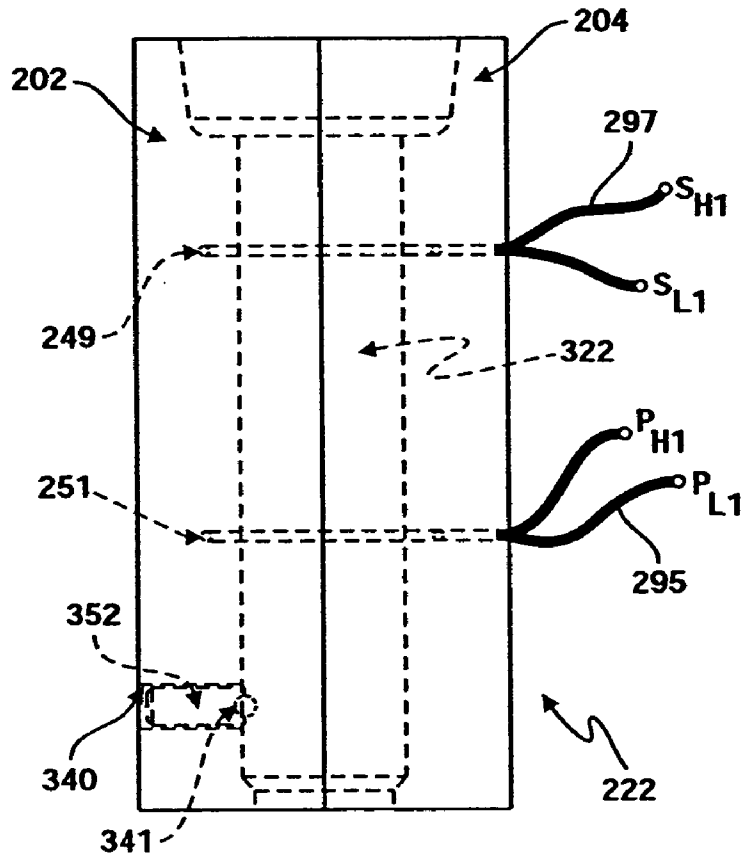


FIG. 8C

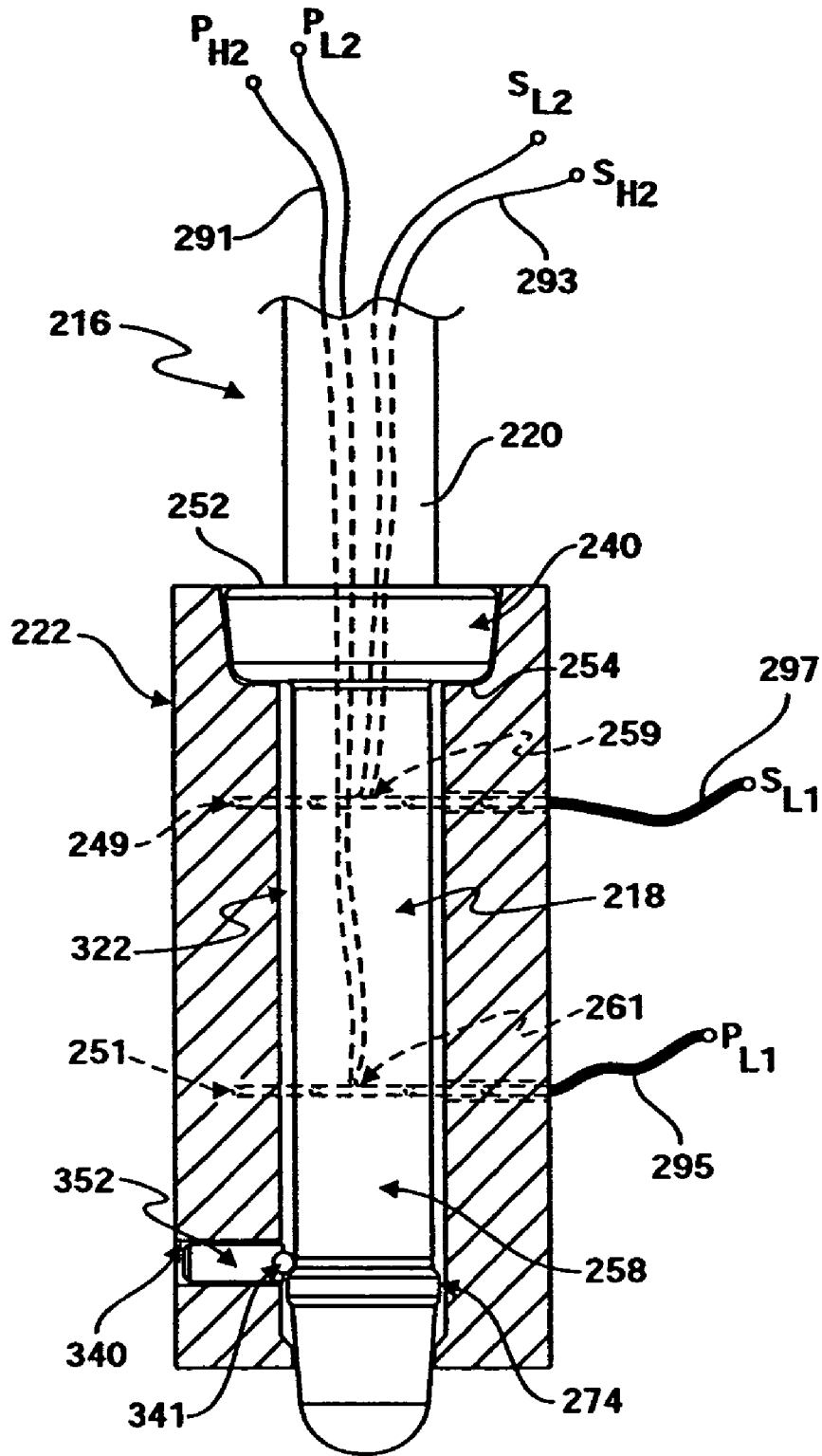


FIG. 9

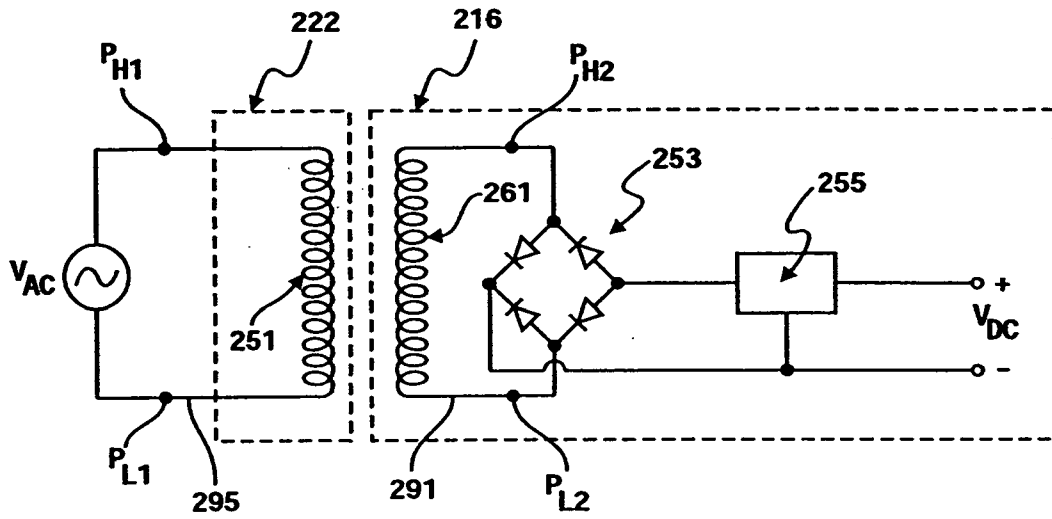


FIG. 10A

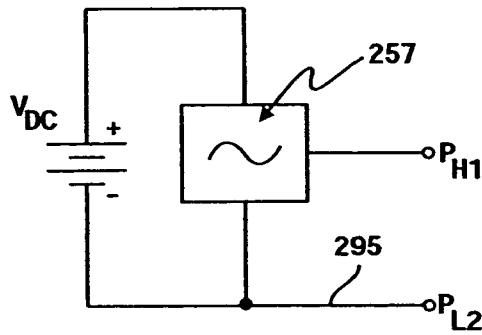


FIG. 10B

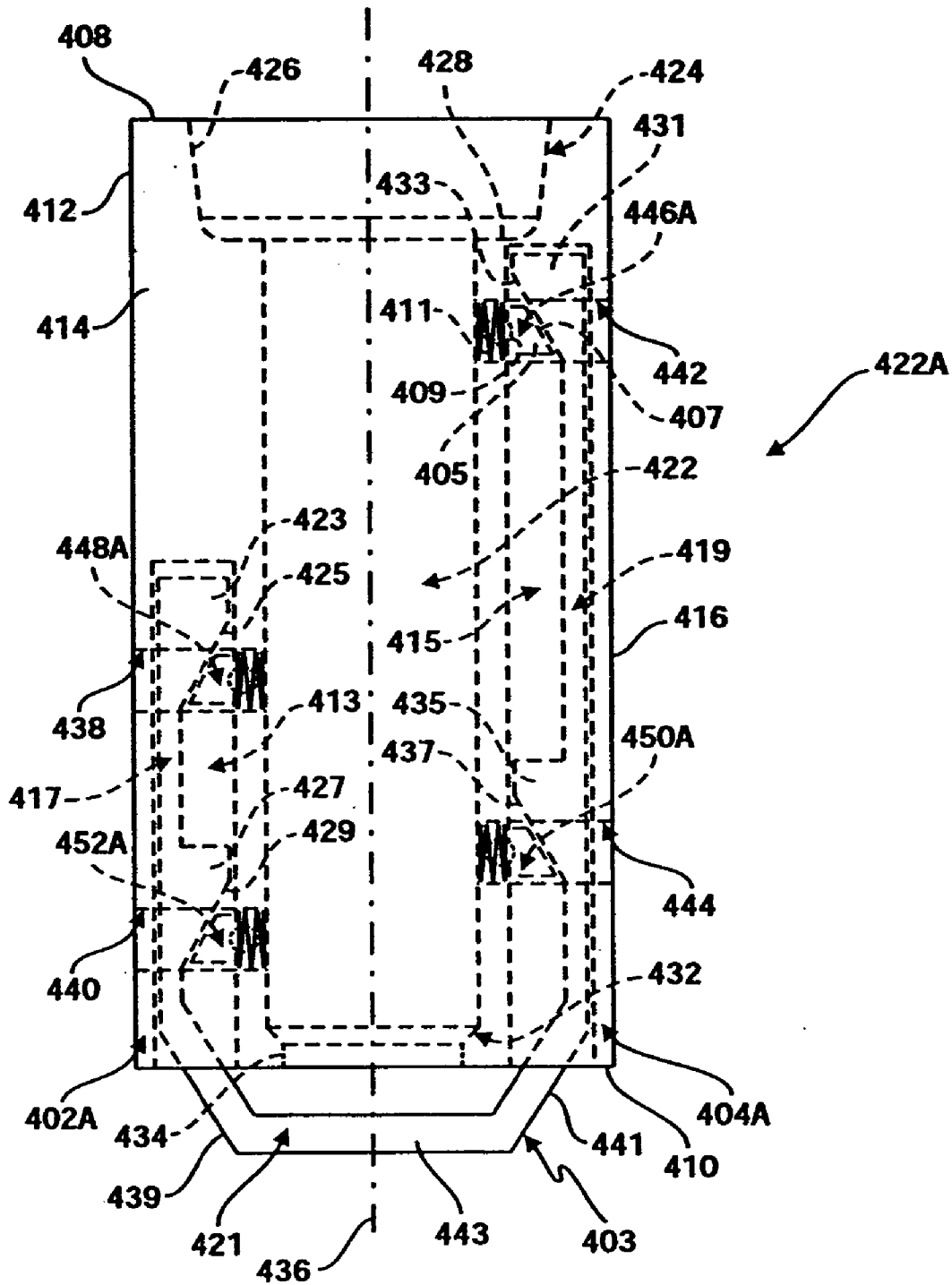


FIG. 11A

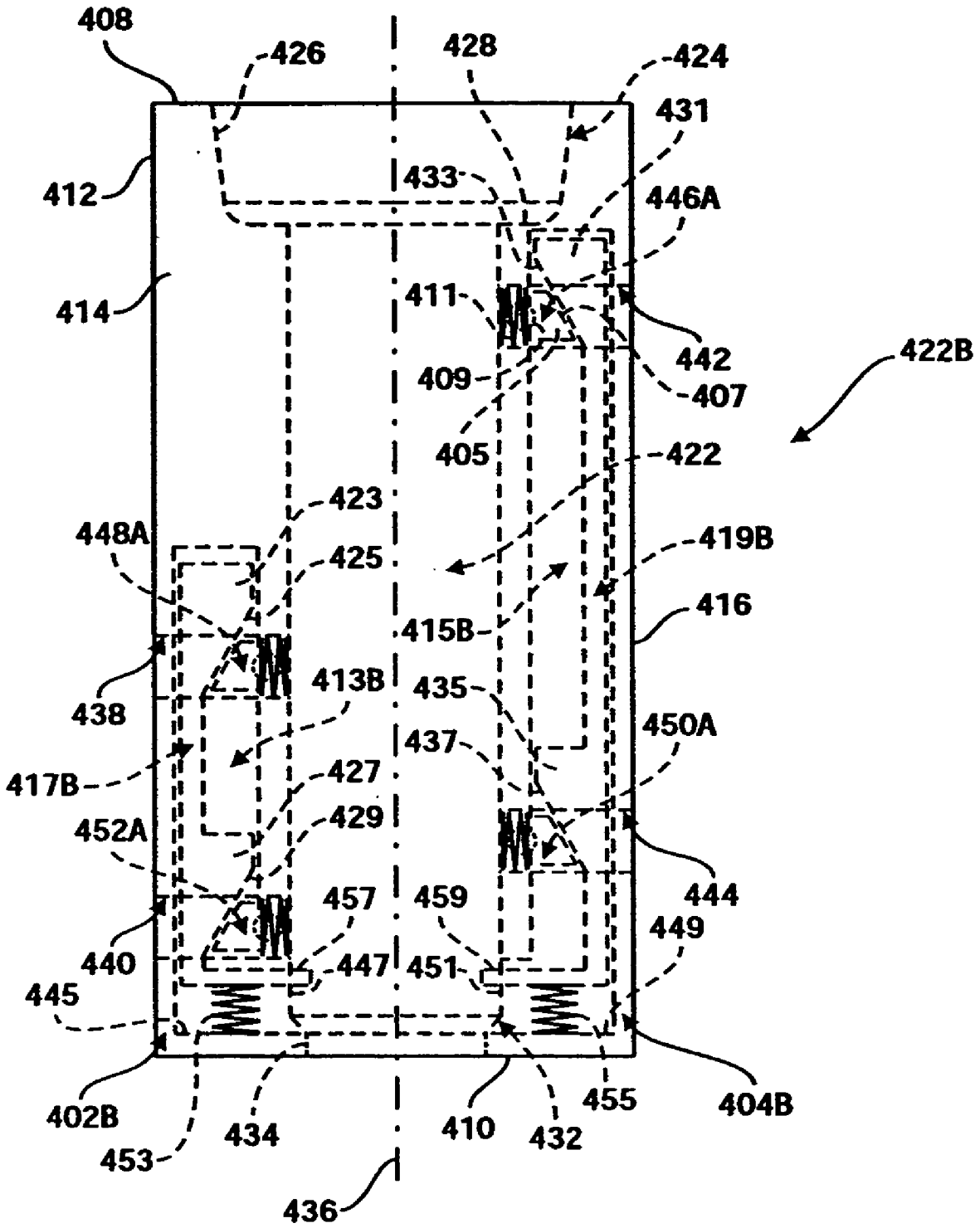


FIG. 11B

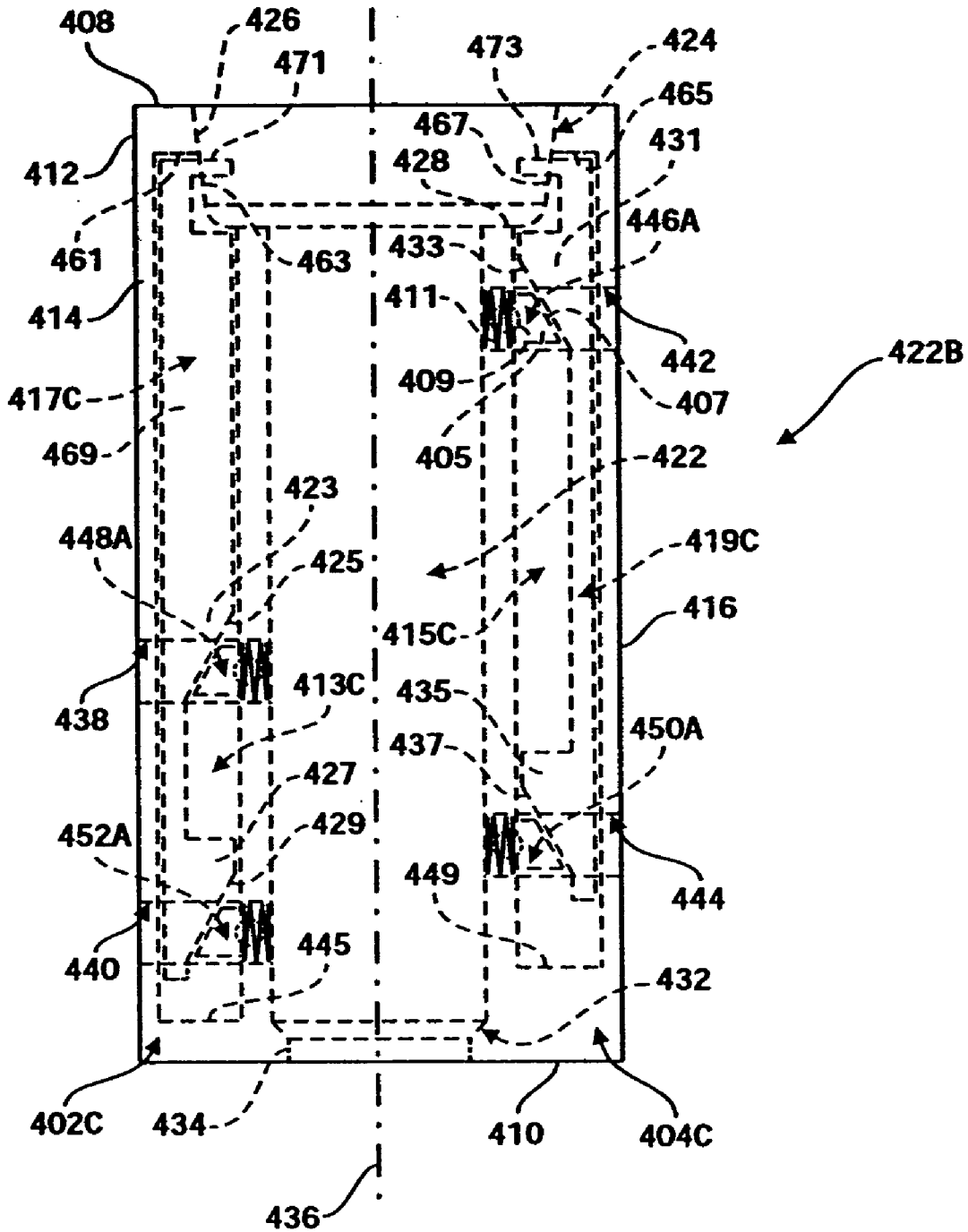


FIG. 11C

1

HOSPITAL BED EQUIPMENT SUPPORT APPARATUS

RELATED APPLICATIONS

This application is a divisional of U.S. patent application Ser. No. 10/224,201, filed Aug. 20, 2002 now U.S. Pat. No. 6,704,956, which claims the benefit of U.S. Provisional Patent Application Ser. No. 60/314,483, filed Aug. 23, 2001, and U.S. Provisional Patent Application Ser. No. 60/333,387, filed Nov. 26, 2001, the disclosures of which are hereby expressly incorporated herein by reference.

FIELD OF THE INVENTION

The present invention generally relates to devices for supporting equipment used with patient assist apparatuses, and more particularly to a device for supporting patient care equipment and providing electrical connections thereto from a receptacle attached to the patient assist apparatus which removably receives the support.

BACKGROUND OF THE INVENTION

Patient assist apparatuses, such as hospital beds, are typically provided with or connected to medical equipment, such as control pendants, monitors/interface devices, etc. Conventional pendants are generally electrically connected to the control circuitry of the bed by a cable which permits placement of the pendant at various locations on the bed. Interface devices are generally mounted to the side rails or the head or foot board of the bed, and electrically hardwired to the bed electronics.

It is desirable to have maximum flexibility in terms of locating and relocating such medical equipment to accommodate access to the patient by medical personnel, placement of other monitoring and treatment equipment, and re-positioning of the patient. While conventional pendants are easily moved between various locations, the cable may become tangled, or otherwise impede access to the patient, placement of other equipment, and movement of the patient.

Additionally, interface devices may be difficult to use or inconveniently located when provided at a fixed location on the bed. For example, if an interface device is mounted to a bed side rail which must be folded down, the interface may be rendered essentially useless. If the interface is mounted to the foot board, medical personnel positioned at the head of the bed must relocate to use the interface.

SUMMARY OF THE INVENTION

The present invention provides an equipment support device for use with a patient assist apparatus which may include a plurality of receptacles mounted at various locations on the apparatus for removably receiving a support body to which is mounted equipment, such as a control pendant and/or an interface device. The receptacles may include a cavity and a plurality of contacts extending into the cavity and being connected to the control circuitry of the apparatus. The support body may include a plug at one end having a plurality of contacts configured to mate with the receptacle contacts when the plug is seated in the receptacle cavity. Conductors extend from the plug contacts to the equipment mounted to the support body. Accordingly, medical personnel may locate the equipment support device at any of the receptacle locations around the patient assist apparatus by inserting the support body plug into the desired

2

receptacle, thereby electrically connecting the equipment mounted to the equipment support device to the apparatus control circuitry and mechanically supporting the equipment in a desired location.

In an alternate embodiment, the receptacles may include power and signal windings that loop around the central cavity of the receptacle. These windings form one side of a pair of transformers, one for supplying power to the support body, and one for supplying other signals to the support body. The support body plug includes corresponding secondary windings that complete the pair of transformer circuits, and are connected to conductors that supply power and other signals to the equipment mounted to the support body. In this embodiment, the receptacle contacts and the plug contacts are eliminated. Power and other signals are provided to the equipment with electrical isolation. Additionally, a spring-loaded detent is provided in each of the receptacles for cooperating with a lock ring on the support body plug to mechanically retain the plug in the receptacle when the plug is in a seated position.

The features of the present invention described above, as well as additional features, will be readily apparent to those skilled in the art upon reference to the following description and the accompanying drawings.

BRIEF DESCRIPTION OF THE DRAWINGS

FIG. 1 is a perspective view of a patient assist apparatus having a plurality of equipment support apparatuses attached thereto.

FIG. 2A is a partially fragmented, side elevational view of a portion of an equipment support apparatus according to the present invention.

FIG. 2B is a top plan view of the equipment support apparatus shown in FIG. 2A.

FIG. 3 is a side elevational view of components of an equipment support apparatus according to the present invention.

FIGS. 4A and 4B are perspective views of a receptacle of an equipment support apparatus according to the present invention.

FIG. 4C is a side elevational view of the receptacle shown in FIGS. 4A and 4B.

FIG. 4D is a top plan view of the receptacle shown in FIGS. 4A-C.

FIG. 5 is a partially fragmented, side elevational view, partly in section, of a portion of an equipment support apparatus according to the present invention.

FIGS. 6A and 6B are partially fragmented, side elevational views, partly in section, depicting the electrical connections of embodiments of an equipment support apparatus according to the present invention.

FIG. 7A is a partially fragmented, side elevational view of a portion of another embodiment of an equipment support apparatus according to the present invention.

FIG. 7B is a top plan view of the equipment support apparatus shown in FIG. 7A.

FIGS. 8A and 8B are perspective views of another embodiment of a receptacle of an equipment support apparatus according to the present invention.

FIG. 8C is a side elevational view of the receptacle shown in FIGS. 8A and 8B.

FIG. 8D is a top plan view of the receptacle shown in FIGS. 8A-C.

FIG. 9 is a partially fragmented, side elevational view, partly in section, of a portion of another embodiment of an equipment support apparatus according to the present invention.

FIG. 10A is an electrical schematic diagram of a portion of the circuit of the equipment support apparatus shown in FIGS. 7-9.

FIG. 10B is an electrical schematic diagram of an alternate power input circuit to replace a portion of the circuit of FIG. 10A.

FIGS. 11A-C are side elevational views of alternate embodiments of a receptacle of an equipment support apparatus according to the present invention.

DETAILED DESCRIPTION OF EMBODIMENTS OF THE INVENTION

The exemplary embodiments selected for description below are not intended to limit the invention to the precise forms disclosed. Instead, the embodiments have been selected for description to enable one of ordinary skill in the art to practice the invention.

FIG. 1 shows a hospital bed 10 that has a variety of conventional components including a frame 12. Three embodiments of an equipment support apparatus according to the present invention 14A-C are shown attached to frame 12. Equipment supports 14A, 14B, and 14C differ in various ways which will be described in detail below. In general, however, each equipment support 14A, 14B, and 14C includes a support body 16A-C, a plug 18A-C at one end 20A-C of support body 16A-C, and a receptacle 22A-C attached to frame 12.

Support body 16A of equipment support 14A may be formed from a generally rigid hollow pole, and includes an equipment end 26A opposite end 20A. Equipment support 14A also includes an equipment mount 28A connected to equipment end 26A of support body 16A. A goose neck or flexible portion 30A having a free end 32A is also connected to equipment end 26A of support body 16A. An interface 34A is physically and electrically connected to equipment mount 28A as is further described below. Interface 34A (and interface 34C) may be a display, a control panel, or any other type of interface or monitor. Similarly, a pendant 36A is physically and electrically connected to free end 32A of flexible portion 30A as is further described below. The position of pendant 36A may be adjusted by moving the pendant within the range of positions provided by the flexibility of flexible portion 30A. It should be understood that equipment mount 28A may be movably or adjustably mounted on support body 16A such that interface 34A may be moved upwardly and downwardly on support body 16A, rotated about support body 16A, and tilted relative to support body 16A. If such adjustability is provided, then the electrical conductors or wires connecting equipment mount 28A (and interface 34A) to plug 18A, further described below, may extend through an opening or slot in support body 16A and have sufficient slack and/or flexibility to accommodate the full range of adjustment of equipment mount 28A.

Equipment support 14B similarly includes a support body 16B with an equipment end 26B, a flexible portion 30B having a free end 32B, and a pendant 36B mechanically and electrically connected to free end 32B of flexible portion 30B. Unlike support body 16A, support body 16B does not include an equipment mount or interface. Also, support body 16B includes a first section 25B and a second section 27B. First section 25B is connected to second section 27B at a

telescopic joint 29B. Telescopic joint 29B permits adjustment of the height of pendant 36B above bed 10. In other words, as one of first section 25B or second 27B is telescopically received within the other section, the overall height of support body 16B is reduced. As will be further described below, conductors (not shown) extend between pendant 36B and plug 18B (through flexible portion 30B and support body 16B) to permit communication between electronics on pendant 36B and other portions of bed 10. Obviously, the conductors (not shown) connecting pendant 36B to plug 18B must have sufficient slack and/or flexibility to accommodate the full range of adjustment of support body 16B. Additionally, the position of pendant 36B may be adjusted within the range of positions provided by flexible portion 30B.

Equipment support 14C also includes a support body 16C with an equipment mount (not shown) for mounting an interface 34C at equipment end 26C of support body 16C. A standard, telescopically extendable IV bag hook 36C is received by equipment end 26C of support body 16C. Like support bodies 16A and 16B, support body 16C includes conductors (not shown) which extend between the equipment mount (not shown) and plug 18C.

Also shown in FIG. 1 is a fourth receptacle 22D mounted to the perimeter of frame 12. Additional receptacles may be mounted at other locations on frame 12 to permit relocation of any of equipment supports 14A-C. As is further described below, electrical contacts in receptacles 22A-D provide power and other signals to interfaces 34A, 34C, and pendants 36A, 36B. When receptacles 22A-D are mounted to frame 12, these electrical contacts may be hard-wired to the control circuitry of bed 10.

FIGS. 2A and 2B show a plug according to the present invention. Since plugs 18A-C of equipment supports 14A-C are identical, only one plug is described below. Plug 18A generally includes a stop 40 which is connected to end 20A of support body 16A, and a substantially cylindrical, elongated body 42 including an end 44 connected to stop 40 and an end 46 connected to a tip 48. Tip 48 is formed of a non-conductive material and includes a slightly tapered outer surface 98 which terminates in a rounded dome 100. As shown in FIG. 2A, support body 16A, stop 40, plug body 42, and tip 48 are substantially coaxial.

Stop 40 is an annular, ring-shaped member having a central opening 50 (FIG. 2B) that receives support body 16A, an upper surface 52, a lower surface 54, and an outer surface 56 which tapers slightly from upper surface 52 to lower surface 54. A cylindrical extension 58 protrudes from lower surface 54 of stop 40 and is connected to end 44 of plug body 42.

Plug body 42 includes insulators 60, 62, 64, 66, and contacts 68, 70, 72, 74. As best shown in FIG. 3, insulators 60, 62, 64, 66 are substantially cylindrical with central openings 76, 78, 80, 82, respectively. As should be apparent from the figures, spacers 60, 62, 64, 66 include annular members having one of two lengths. Specifically, spacers 60 and 66 are identical in length and shorter than spacer 64. Spacer 62 is an assembly of four spacer sections 84, 86, 88, 90. Spacer sections 86 and 90 are identical to spacers 60 and 66. Spacer sections 84 and 88 are identical to spacer 64. Accordingly, spacers having any of a variety of different lengths may be assembled using two standard length spacer sections. It should be understood that stop 40, tip 48, and all of the components of plug body 42 may be assembled in any of a variety of ways. For example, each piece could include appropriately threaded male and female portions (not

5

shown), or simply be formed as slip rings to be received over a common inner sleeve (not shown).

Referring again to FIG. 2A, spacers 60, 62, 64, 66 have substantially the same outer diameter D_2 , which is smaller than the outer diameter D_1 of stop 40. First contact 68 is located between spacer 60 and spacer 62. Second contact 70 is located between spacer 62 and spacer 64. Third contact 72 is located between spacer 64 and spacer 66. Finally, fourth contact 74 is located between spacer 66 and tip 48.

Contacts 68, 70, 72, and 74 are substantially identical

6

within cavity 122, detent contacts 146, 148, 150, and 152 of receptacle 22A make electrical contact with retention rings 94 of plug body contacts 68, 70, 72, 74, respectively. Bore 142 and detent contact 146 are spaced a distance X_1 from upper surface 108 of receptacle 22A. Similarly, bore 138 and detent contact 148 are spaced a distance X_2 from upper surface 108, bore 144 and detent contact 150 are spaced a distance X_3 from upper surface 108, and bore 140 and detent contact 152 are spaced a distance X_4 from upper surface 108.

The difference between distances X_1 and X_2 corresponds to

Therefore, only one is labeled in FIG. 2A. Each of contacts 68, 70, 72, and 74 include an annular portion 92 and a retention ring 94 having a diameter D_3 which is larger than diameter D_2 and smaller than diameter D_1 . Retention rings 94 have a chamfered upper edge 96 and a chamfered lower edge 98. Retention rings 94 may be either conductive or non-conductive. Likewise, portions 92 may be either conductive or non-conductive. In the embodiment described, portions 92 are non-conductive and retention rings 94 are conductive. As shown in FIG. 2A, the spacings S_1 , S_2 , S_3 between retention rings 94 of contacts 68, 70, 72, and 74 are all different as a result of the different lengths of spacers 62, 64, and 66. This prevents shorting and erroneous connections during insertion and removal of plug 18A into and out of receptacle 22A as will be further described below.

Each retention ring 94 of contacts 68, 70, 72, and 74 is connected to a respective conductor (FIGS. 6A and 6B) which extends within the central opening formed through the spacers and conductors, central opening 50 of stop 40, and a central opening 162 of support body 16A.

An illustrative receptacle 22A is shown in FIGS. 4A-4D. Receptacle 22A generally includes a first half 102 and a second half 104 that may be assembled separately and attached together at interface 106 using any of a variety of conventional attachment techniques. Once joined, halves 102, 104 form a six-sided body having an upper surface 108, a lower surface 110 and side surfaces 112, 114, 116, 118. A central opening 120 is formed in upper surface 108. A cavity generally referred to by numeral 122 extends from opening 120 through receptacle 22A to bottom surface 110. As best shown in FIG. 4C, cavity 122 includes an enlarged diameter portion 124 having a cylindrical, slightly tapered side surface 126 and a shoulder surface 128 which is substantially parallel to upper surface 108 of receptacle 22A. Cavity 122 further includes an elongated central portion 130, a tapered lower portion 132, and a lower opening 134 formed in lower surface 110 of receptacle 22A. Cavity 122 is generally cylindrical and includes a central axis 136.

As best shown in FIGS. 4A-4D, half 102 of receptacle 22A includes a pair of bores 138, 140 which are substantially vertically aligned on side surface 112 and extend into cavity 122. Similarly, half 104 of receptacle 22A includes bores 142, 144, which are vertically aligned with bores 138, 140

spacing S_1 . Likewise, the difference between distances X_3 and X_2 corresponds to spacing S_2 . Finally, the difference between distances X_4 and X_3 corresponds to spacing S_3 . Since detent contacts 146, 148, 150, 152 are spaced to correspond with the spacings S_1 , S_2 , S_3 between plug contacts 68, 70, 72, 74, when plug 18A is in the seated position shown in FIG. 5, electrical connections are made between detent contact 146 and contact 68, detent contact 148 and contact 70, detent contact 150 and contact 72, and detent contact 152 and contact 74. Because spacings S_1 , S_2 , S_3 are different from one another, as plug 18A is inserted downwardly into cavity 122 of receptacle 22A, all of detent contacts 146, 148, 150, 152 simultaneously contact their respective plug contacts 68, 70, 72, 74 when plug 18A substantially reaches the seated position, but not during insertion or removal of plug 18A.

As should be apparent from FIG. 5, as plug 18A is moved downwardly, the balls of detent contacts 146, 148, 150, 152 are urged outwardly from central axis 136 by rings 94 of plug contacts 68, 70, 72, 74. Electrical contact is established as soon as rings 94 contact the balls of detent contacts 146, 148, 150, 152. As a ring 94 moves past a detent contact 146, 148, 150, 152, the ball of the detent contact cams over chamfered edge 98 and down chamfered edge 96 of ring 94. When plug 18A is in the seated position, each of the balls is spring biased outwardly against portions 92. Rings 94 remain in electrical contact with the balls and provide a locking function to resist removal of plug 18A upwardly out of cavity 122. Specifically, sufficient upward force must be applied to support body 16A to overcome the force exerted against plug 18A by the balls, which force resists upward movement as the balls cam over chamfered edge 96 of retention rings 94. As shown in FIG. 5, detent contacts 146, 150 are opposed to detent contacts 148, 152 so that the spring force urging the balls of one pair of the detent contacts is in substantial opposition to the spring force urging the balls of the other pair of detent contacts toward plug body 42, thereby providing a better "grip" on plug 18A. Additionally, it should be noted that by providing spring biased detent contacts 146, 148, 150, 152, the present invention may provide more reliable electrical connections than would a receptacle and plug assembly using friction fit

Referring now to FIGS. 6A and 6B, wires or conductors 160 are connected to plug contacts 68, 70, 72, and 74, respectively. Specifically, each conductor 160 is connected to a separate ring 94 of contacts 68, 70, 72, 74. FIG. 6A illustrates the routing of conductors 160 for equipment support 14A, also shown in FIG. 1. Conductors 160 extend through central opening 162 in support body 16A, through equipment end 26A and a hollow interior 164 of flexible portion 30A to pendant 36A. Conductors 160 may provide power and other signals to pendant 36A from receptacle 18A, and pendant 36A may provide signals through conductors 160 to receptacle 18A. For example, a patient may press a call button on pendant 36A which sends a signal through conductors 160 to receptacle 18A and equipment associated with bed 10 according to principles well known in the art. Conductors 166 extend from pendant 36A through hollow interior 164 of flexible portion 30A, central opening 162 of support body 16A, and an opening 168 formed in support body 16A to equipment mount 28A. Conductors 166 are connected to interface 34A at equipment mount 28A using appropriate connectors. Accordingly, power and other signals may be routed between receptacle 18A and interface 34A through equipment mount 28A and pendant 36A.

FIG. 6B reflects the basic conductor routing of equipment support 14C (FIG. 1) which does not include a pendant. IV bag hook 36C of equipment support 14C, shown in FIG. 1, is not shown in FIG. 6B. FIG. 6B shows conductors 160 from plug contacts 68, 70, 72, 74 routed directly to interface 34C through central opening 162 of support body 16C, opening 168, and equipment mount 28C. It should be understood from the foregoing that the conductor routing of equipment support 14B (which includes only a pendant and no interface) is the same as that shown in FIG. 6A except that conductors 166 are unnecessary.

FIGS. 7–10 depict an alternate embodiment of an equipment support apparatus according to the present invention. Various components of the alternate embodiment described below are similar to the components described with reference to the previous figures. Accordingly, the reference designations of like components have been retained, but increased by 200. FIGS. 7A and 7B show an alternate embodiment of a plug 218 according to the present invention. Plug 218 generally includes a stop 240 that is connected to an end 220 of support body 216, and a substantially cylindrical, elongated body 242 including an end 244 connected to stop 240 and an end 246 connected to a tip 248. Body 242, stop 240, and tip 248 are formed of a non-conductive material. Tip 248 includes a slightly tapered outer surface 298 which terminates in a rounded dome 300. As shown, support body 216, stop 240, plug body 242, and tip 248 are substantially coaxial.

Stop 240 is an annular, ring-shaped member having a central opening 250 (FIG. 7B), an upper surface 252, a lower surface 254, and an outer surface 256 which tapers slightly from upper surface 252 to lower surface 254. A cylindrical extension 258 extends from lower surface 254 to tip 248, and carries an increased diameter retention ring 274. In FIG. 7A, retention ring 274 is shown positioned adjacent tip 248. It should be understood, however, that retention ring 274 may be located anywhere along the length of extension 258.

A first conductor 291 extends from end P_{H2} , through support body 216 and central opening 250 of plug 218 to a location within extension 258 of plug body 242. Conductor 291 forms a loop 261 embedded within the non-conductive material of extension 258 adjacent the outer surface of extension 258. The other end of conductor 291 extends back through central opening 250 and support body 216 to end

P_{L2} . Similarly, a second conductor 293 extends from end S_{H2} , through support body 216 and central opening 250 to form a loop 259 within extension 258 adjacent the outer surface of extension 258. Conductor 293 also extends back through opening 250 to end S_{L2} . As will be further described below, loops 259, 261 each form one side of a transformer circuit.

FIGS. 8A–8D show an alternate embodiment of a receptacle 222 according to the present invention for receiving plug 218 described above. Receptacle 222 differs from receptacle 22A of FIGS. 4A–D in that it does not include a plurality of electrically conductive detent contacts 146, 148, 150, 152, but instead includes conductive loops 249, 251 as described below. Receptacle 222 includes halves 202, 204 which are substantially the same as halves 102, 104 of receptacle 22A (except for bores 142, 144, 146, 148) and therefore not described in detail with reference to FIGS. 8A–8D. Halves 202, 204 form a central cavity 322 that extends substantially the entire length of receptacle 222 as best shown in FIG. 8C. Again, since cavity 322 is substantially the same as cavity 122 of receptacle 22A, the various surfaces and portions of cavity 322 are not repeated in the description of receptacle 222. Receptacle 222 further includes a bore 340 that extends through half 204 from an outer surface of receptacle 222 to central cavity 322. A spring loaded detent 352 is mounted within bore 340 such that a ball 341 of detent 352 (FIGS. 8C and 8D) is biased partially into cavity 322.

A conductor 295 extends from end P_{H1} through an opening in receptacle 222 to form a loop 251 about central cavity 322. The other end of conductor 295 extends through another opening in receptacle 222 to end P_{L1} . Similarly, at another location within receptacle 222, a second conductor 297 extends from end S_{H1} through an opening in receptacle 222 to form a loop 249 about central cavity 322. The other end of conductor 297 extends through another opening in receptacle 222 to end S_{L1} . Loops 249, 251 are embedded within the material of receptacle 222 just below the surface of cavity 322. In other words, loops 249, 251 are embedded into the inner, cylindrical wall of cavity 322 such that loops 249, 251 do not contact plug 218 when plug 218 is inserted into receptacle 222.

Referring now to FIG. 9, plug 218 is shown in a seated position within receptacle 222. As shown, loop 259 of plug 218 lies substantially within the same plane as loop 249 of receptacle 222 such that the signal provided on conductor 297 is inductively coupled from loop 249 to loop 259 and conductor 293 having ends S_{L2} and S_{H2} . Similarly, loop 261 lies substantially within the plane as loop 251 such that the signal provided on conductor 295 is inductively coupled from loop 251 to loop 261 and conductor 291 having ends P_{H2} and P_{L2} . In this manner, power and control signals are provided from receptacle 222 to equipment support 216 even if dirt or other foreign material is built up in cavity 322 or on plug 218. Additionally, electricity is provided from receptacle 222 to equipment support 216 without requiring exposed, electrically conductive contacts.

As shown in FIG. 9, when plug 218 is in the seated position, ball 341 of detent 352 is urged outwardly toward extension 258 of plug 218 above retention ring 274. The outward biasing force of the spring (not shown) on ball 341 resists upward movement of plug 218 through interference with retention ring 274. Accordingly, the possibility of accidental removal of equipment support 216 from receptacle 222 is reduced.

FIG. 10A shows a basic schematic diagram of one possible circuit for supplying power from receptacle 222 to

equipment support 216. An AC source (V_{AC}) is provided externally to the equipment support apparatus of the present invention. One side of supply V_{AC} is connected to end P_{H1} . Of conductor 295, and the other side is connected to end P_{L1} . Loop 251 is formed between ends P_{H1} , and P_{L1} to form one side of the transformer shown in FIG. 10A. As shown, loop 251 is formed within receptacle 222 as described above. Loop 261 (the other side of the transformer) is formed within equipment support 216 as described above. Conductor 291 from loop 261 extends to ends P_{R1} , P_{L2} which are connected

When plug 18A is inserted into cavity 412, balls 409 of detent contacts 446A, 448A, 450A, and 452A do not contact plug 18A because the balls are recessed into their respective bores 442, 438, 444, and 440. As plug 18A approaches the seated position, however, tip 48 engages engagement segment 443 of actuator engagement portion 421. As plug 18A is inserted farther downwardly, tip 48 moves actuator 403 downwardly such that first portion 417 and second portion 419 are moved downwardly in channels 413, 415, respectively. As first portion 417 and second portion 419 move

to a full-wave rectifier circuit 253 and a voltage regulator 255 to provide a DC output in a manner that is well-known to those skilled in the art. It should be understood that the signals provided on conductor 297 extending between ends S_{H1} and S_{L1} may be implemented using the same circuit as that described above.

FIG. 10B shows an alternate embodiment of the circuit of FIG. 10A. Specifically, instead of an AC power supply (V_{AC}), the circuit of FIG. 10B includes a DC power supply (V_{DC}) or a battery that is connected in a conventional manner to an oscillator circuit 257. The output of oscillator circuit 257 to nodes P_{H1} and P_{L1} is an AC signal similar to that provided from the AC power supply (V_{AC}). This signal may be passed through a transformer as described with reference to FIG. 10A, rectified by full wave rectifier 253, and regulated to form a DC signal at the output of regulator 255.

Referring now to FIGS. 11A–C, alternate embodiments of a receptacle of an equipment support apparatus according to the present invention are shown. Unlike receptacle 22A shown in FIGS. 4A–C, the receptacles of these embodiments do not include detent contacts that normally extend into the central cavity of the receptacle. Instead, as further described below, the detent contacts of these embodiments are actuated or moved to contacting positions within the cavity as a result of movement of plug 18A to the seated position within the cavity. Otherwise, several of the items shown in FIGS. 11A–C are similar to items depicted in FIGS. 4A–C, and are referred to using reference designations that have been increased by 300.

As shown in FIG. 11A, receptacle 422A generally includes first half 402A, second half 404A, and actuator 403. Like first half 102 of receptacle 22, first half 402A includes a pair of bores 438, 440 that contain detent contacts 448A, 452A, respectively. Similarly, second half 404A includes bores 442, 444 that contain detent contacts 446A, 450A, respectively. Each detent contact 446A, 448A, 450A, 452A is identical. For simplicity, only detent contact 446A is labeled with reference designations. Each detent contact 446A, 448A, 450A, 452A includes a body 405 having a cam surface 407 and a ball 409. Each body 405 is biased out of cavity 422, away from central axis 436 by a spring 411. First half 402A further includes a channel 413 that extends upwardly within first half 402A from an opening formed in bottom surface 410. Second half 404A includes a similar channel 415.

As shown, actuator 403 generally includes a first portion 417 situated within channel 413 of first half 402A, a second portion 419 situated within channel 415 of second half 404A, and an engagement portion 421 extending between first portion 417 and second portion 419. First portion 417 includes a first cam 423 having a first cam surface 425 and a second cam 427 having a second cam surface 429. Second portion 419 similarly includes a third cam 431 having a third cam surface 433 and a fourth cam 435 having a fourth cam surface 437. Engagement portion 421 includes a pair of

downwardly, cam surfaces 425, 429, 433, and 437 of cams 423, 427, 431, and 435 respectively engage cam surfaces 407 of detent contacts 448A, 452A, 446A, 450A. As a result, detent contacts 446A, 448A, 450A, 452A are urged inwardly toward plug 18A against the biasing force of springs 411. Accordingly, when plug 18A is in the seated position, balls 409 of detent contacts 446A, 448A, 450A, 452A are in electrical connection with rings 94 of plug contacts 68, 70, 72, and 74, respectively. As should be apparent from the foregoing, actuator 403 may include a return mechanism such as a spring (not shown) to return actuator 403 to the position shown in FIG. 11A when plug 18A is removed from receptacle 422A. Alternatively, springs 411 of detent contacts 446A, 448A, 450A, and 452A may provide a sufficiently large biasing force to cause cam surfaces 407 of detent contacts 446A, 448A, 450A, and 452A to move along cam surfaces 433, 425, 437, 429 of cams 431, 423, 435, and 427, respectively, thereby urging actuator 403 upwardly into the position shown in FIG. 11A.

Referring now to FIG. 11B, another embodiment of a receptacle is shown. Receptacle 422B is generally similar to receptacle 422A, but includes a two-piece actuator that does not extend out of the assembly. More specifically, first half 402B includes a modified channel 413B that terminates at a lower end 445 rather than extending through bottom surface 410. Additionally, channel 413B includes an opening 447 that extends between channel 413B and cavity 422. Second half 404B similarly includes a modified channel 415B that terminates at a lower end 449 and includes an opening 451.

Receptacle 422B further includes a first actuator 417B, a first spring 453, a second actuator 419B, and a second spring 455. First actuator 417B is situated within channel 413B, and includes cams 423, 427 as described above with reference to FIG. 11A. Below cam 427, first actuator 417B includes an engagement portion 457 that extends through opening 447 into cavity 422. Spring 453 is positioned between end 445 of channel 413B and engagement portion 457, and biases first actuator 417B upwardly into the position shown in FIG. 11B. Second actuator 419B is situated within channel 415B, and includes cams 431, 435 as described above. Second actuator 419B also includes an engagement portion 459 that extends from below cam 435, through opening 451, and into cavity 422. Spring 455 biases engagement portion 459 (and second actuator 419B) upwardly into the position shown in FIG. 11B.

When plug 18A is inserted into cavity 422 of receptacle 422B, no electrical connections are made between plug 18A and receptacle 422B until plug 18A approaches the seated position. More specifically, as plug 18A reaches the lower portion of cavity 422, a pair of grooves (not shown) formed in plug 18A receive engagement portions 457, 459. When engagement portions 457, 459 reach a stop surface (not shown) formed in the grooves, further downward movement of plug 18A into cavity 422 moves first actuator 417B and second actuator 419B downwardly against the biasing force of springs 453, 455, respectively. This downward movement

11

423, 427, 431, and 435 to respectively move detent contacts 448A, 452A, 446A, and 450A into electrical connection with plug 18A as described above. When plug 18A is withdrawn from cavity 422, springs 411 and 453, 455 urge detent contacts 448A, 452A, 446A, and 450A, first actuator 417B, a and second actuator 419B back into the upward position shown in FIG. 11B. It should be understood that springs 453, 455 may be optional, since the biasing force of springs 411 may, without any other return mechanism, cam first actuator 417B and second actuator 419B into the upward positions.

FIG. 11C shows yet another receptacle 422C according to the present invention. Receptacle 422C is similar to receptacle 422B in that it includes a two-piece actuator that does not extend out of the assembly. Unlike receptacle 422B, receptacle 422C includes a two-piece actuator that is engaged by stop 40 of plug 18A. More specifically, first half 402C includes a modified channel 413C that terminates at a lower end 445 and at an upper end 461. An opening 463 is formed adjacent upper end 461 between channel 413C and enlarged diameter portion 424 of cavity 422. Second half 404C similarly includes a modified channel 415C that terminates at an upper end 465 and includes an opening 467.

First actuator 417C of receptacle 422C is situated within channel 413C, and includes cams 423, 427 as described above with reference to FIG. 11A. First actuator 417C further includes an elongated body portion 469 that extends from cam 423 and terminates at an engagement portion 471 that extends through opening 463 into enlarged diameter portion 424 of cavity 422. Second actuator 419C is similarly situated within channel 415C, and includes cams 431, 435 as described above. Second actuator 419C also includes an engagement portion 473 that extends from above cam 431, through opening 467, and into enlarged diameter portion 424.

When plug 18A is inserted into cavity 422 of receptacle 422C, no electrical connections are made between plug 18A and receptacle 422C until plug 18A approaches the seated position. More specifically, as plug 18A reaches the lower portion of cavity 422, a pair of openings or grooves (not shown) formed in stop 40 of plug 18A receive engagement portions 471, 473. When engagement portions 471, 473 reach a stop surface (not shown) formed in the grooves, further downward movement of plug 18A into cavity 422 moves first actuator 417C and second actuator 419C down

12

present invention may be adapted to other uses such as with headwall units, power columns, overbed tables, and wheel-chairs.

What is claimed is:

1. An electrical connector, including:
 - a receptacle having a first end, a second end, a cavity extending toward the second end from an opening at the first end, a first detent extending into the cavity at a first distance from the opening, and a second detent extending into the cavity at a second distance from the opening, the second distance being greater than the first distance; and
 - a plug being removably received by the receptacle cavity, the plug having a body and a stop for limiting the extent to which the body may be inserted into the cavity, thereby defining a seated position, the body including first and second contacts that contact the first and second receptacle detents, respectively, in the seated position, wherein the second contact contacts the first detent during insertion of the plug into the receptacle cavity.
2. The connector of claim 1, wherein the cavity is substantially cylindrical.
3. The connector of claim 1, wherein the body is substantially cylindrical.
4. The connector of claim 1, the body further including a first insulator between the first and second contacts.
5. The connector of claim 1, the receptacle further including a third detent extending into the cavity at a third distance from the opening, and a fourth detent extending into the cavity at a fourth distance from the opening, the third distance being greater than the second distance and the fourth distance being greater than the third distance, the plug body further including third and fourth contacts that contact the third and fourth receptacle detents, respectively, as the body approaches the seated position.
6. The connector of claim 1, wherein the plug further includes a tip disposed adjacent a first end of the body for guiding the plug into the receptacle, the stop being disposed at a second end of the body opposite the first end.
7. The connector of claim 3, wherein the stop is disposed adjacent one end of the body, the stop being annular and having a diameter that is greater than a diameter of the body.
8. The connector of claim 7, wherein the cavity includes a portion adjacent the opening for receiving the stop having

13

thereby defining a seated position, the body including first and second contacts that contact the first and second receptacle contacts, respectively, as the body approaches the seated position, the body being substantially cylindrical, and each of the plug contacts including a ring portion having a diameter that is greater than a diameter of the body, the ring portions being offset from the receptacle contacts along the central axis to resist removal of the plug from the receptacle when the plug body is in the seated position.

12. The connector of claim 11, the receptacle further including a third contact extending into the cavity at a third distance from the opening, and a fourth contact extending into the cavity at a fourth distance from the opening, the third distance being greater than the second distance and the fourth distance being greater than the third distance, the plug body further including third and fourth contacts that contact the third and fourth receptacle contacts, respectively, as the body approaches the seated position.

13. The connector of claim 12, wherein the distance between the first and second plug contacts is different from the distance between the second and third plug contacts.

14. The connector of claim 12, wherein any two plug contacts are simultaneously in contact with any two receptacle contacts only when the plug reaches the seated position.

15. An electrical connector, including:

a receptacle having a first end, a second end, a cavity extending toward the second end from an opening at the first end, a first contact extending into the cavity at a first distance from the opening, a second contact extending into the cavity at a second distance from the opening, the second distance being greater than the first distance, a third contact extending into the cavity at a third distance from the opening, the third distance being greater than the second distance; and

a plug being removably received by the receptacle cavity, the plug having a body and a stop for limiting the extent to which the body may be inserted into the cavity, thereby defining a seated position, the body including first, second, and third, contacts that contact the first, second, and third, receptacle contacts, respectively, as the body approaches the seated position, the plug body being cylindrical and the plug contacts being annular, the plug further including a first annular insulator disposed between the first and second plug contacts, and a second annular insulator disposed between the second and third plug contacts, the first and second annular insulators having a different length, such that one plug contact contacts one receptacle contact during insertion and prior to being seated.

16. The connector of claim 15, wherein each of the first and second annular insulators includes at least one of a first insulator section and a second insulator section, the first and second insulator sections having different lengths.

17. An electrical connector, including:

a receptacle having a first end, a second end, a cavity extending toward the second end from an opening at

14

the first end, a first contact extending into the cavity at a first distance from the opening, a second contact extending into the cavity at a second distance from the opening, the second distance being greater than the first distance, a third contact extending into the cavity at a third distance from the opening, and a fourth contact extending into the cavity at a fourth distance from the opening, the third distance being greater than the second distance and the fourth distance being greater than the third distance; and

a plug being removably received by the receptacle cavity, the plug having a body and a stop for limiting the extent to which the body may be inserted into the cavity, thereby defining a seated position, the body including first, second, third, and fourth contacts that contact the first, second, third, and fourth receptacle contacts, respectively, as the body approaches the seated position, the distance between the first and second plug contacts is different from the distance between the second and third plug contacts, such that one plug contact contacts one receptacle contact during insertion and prior to being seated.

18. The connector of claim 17, wherein the distance between the third and fourth plug contacts is different from the distance between the first and second plug contacts and different from the distance between the second and third plug contacts.

19. An electrical connector, including:

a receptacle having a cavity including a central axis and a first conductor adjacent the cavity; and

a plug having a second conductor adjacent an outer surface of the plug, and an annular ring that has an increased diameter relative to another diameter of the plug;

wherein a signal on the first conductor is coupled to the second conductor when the plug is substantially fully inserted into the receptacle cavity, the receptacle including a detent being offset with respect to the ring to resist removal of the plug from the receptacle when the plug is substantially fully inserted into the cavity.

20. The connector of claim 19, wherein resistance produced by the interaction of the detent and ring to resist plug removal can be overcome by force exerted by a human arm.

21. The connector of claim 19, the receptacle further including a third contact extending into the cavity at a third distance from the opening, and a fourth contact extending into the cavity at a fourth distance from the opening, the third distance being greater than the second distance and the fourth distance being greater than the third distance, the plug body further including third and fourth contacts that contact the third and fourth receptacle contacts, respectively, as the body approaches the seated position, the distance between the first and second plug contacts differing from the distance between the second and third plug contacts.